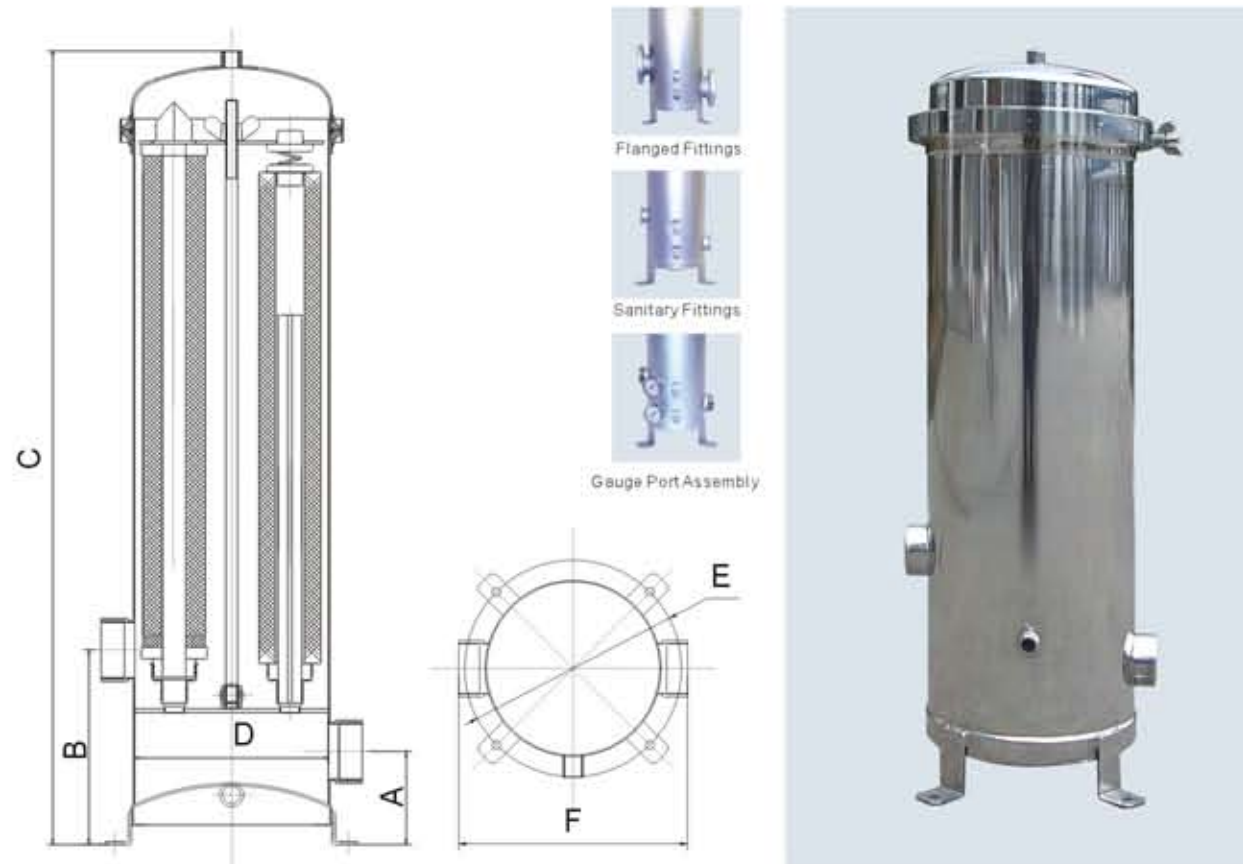


# Aquamarine Water Treatment

## Micro Filter(Cartridge Housing) BN2-Clamp Closure & Concave Bottom

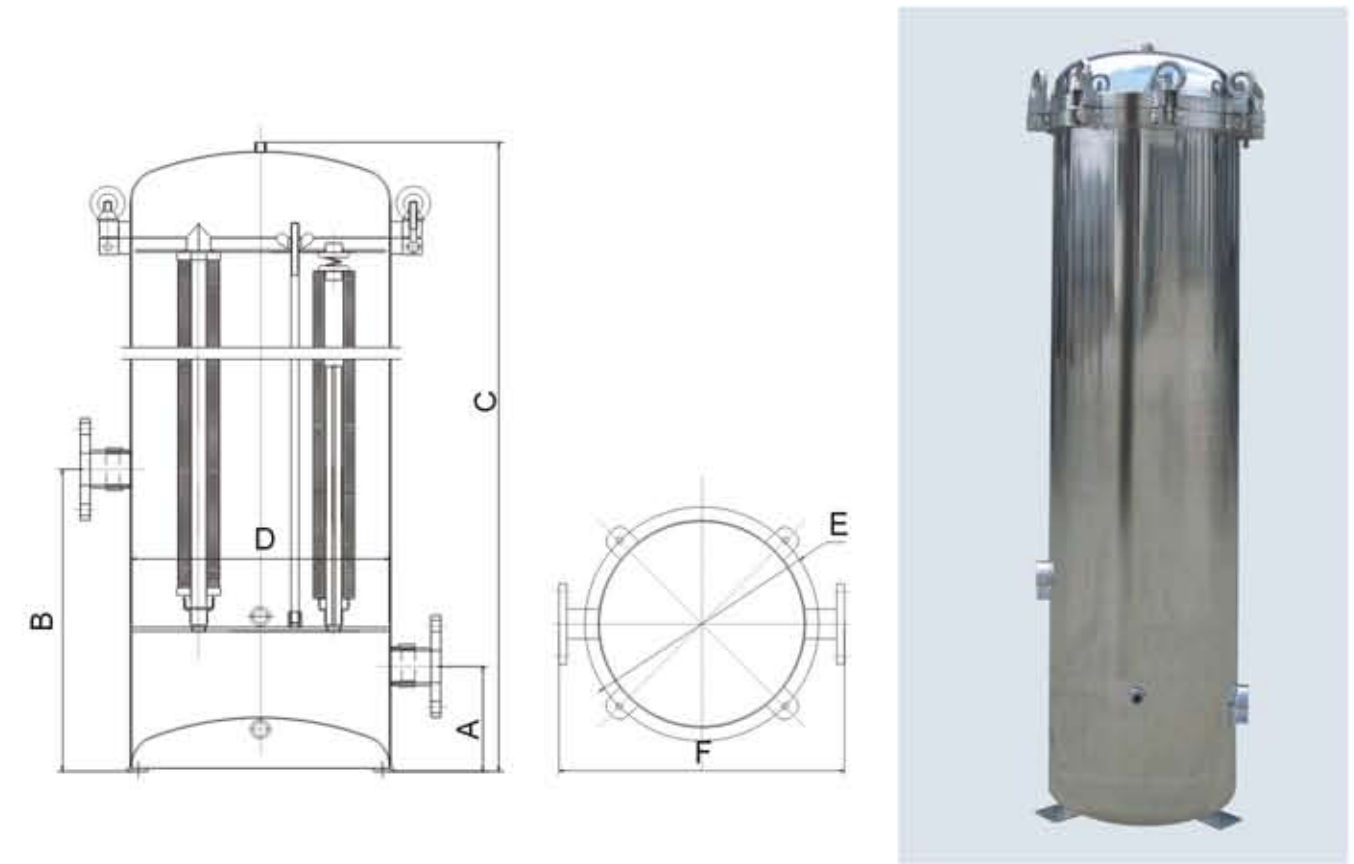
Material:SUS304,SUS316L  
 Max design working pressure 100 Psi  
 Polished or sandblast out surface



Model	A	B	C	D	E	F	Inlet & Outlet	Drain
3*10"	3"	7"	21 $\frac{1}{2}$ "	6 $\frac{3}{4}$ "	8 $\frac{3}{4}$ "	9"	1"-1.5"	$\frac{1}{2}$ "
3*20"	3"	7"	31 $\frac{1}{2}$ "	6 $\frac{3}{4}$ "	8 $\frac{3}{4}$ "	9"	1"-1.5"	$\frac{1}{2}$ "
3*30"	3"	7"	41 $\frac{1}{2}$ "	6 $\frac{3}{4}$ "	8 $\frac{3}{4}$ "	9"	1"-2"	$\frac{1}{2}$ "
3*40"	3"	7"	51 $\frac{1}{2}$ "	6 $\frac{3}{4}$ "	8 $\frac{3}{4}$ "	9"	1"-2"	$\frac{1}{2}$ "
5*10"	3"	7"	22"	8"	10"	10 $\frac{1}{2}$ "	1"-1.5"	$\frac{1}{2}$ "
5*20"	3"	7"	31 $\frac{1}{2}$ "	8"	10"	10 $\frac{1}{2}$ "	1"-1.5"	$\frac{1}{2}$ "
5*30"	3"	7"	41 $\frac{1}{2}$ "	8"	10"	10 $\frac{1}{2}$ "	1"-2"	$\frac{1}{2}$ "
5*40"	4 $\frac{1}{4}$ "	8 $\frac{3}{8}$ "	53 $\frac{1}{2}$ "	8"	10"	10 $\frac{1}{2}$ "	1"-2"	$\frac{1}{2}$ "
7*10"	4 $\frac{1}{4}$ "	8 $\frac{3}{8}$ "	24 $\frac{1}{2}$ "	10"	12"	12 $\frac{1}{4}$ "	1.5"-2"	$\frac{1}{2}$ "
7*20"	4 $\frac{1}{4}$ "	8 $\frac{3}{8}$ "	34 $\frac{1}{2}$ "	10"	12"	12 $\frac{1}{4}$ "	1.5"-2"	$\frac{1}{2}$ "
7*30"	4 $\frac{1}{4}$ "	8 $\frac{3}{8}$ "	44"	10"	12"	12 $\frac{1}{4}$ "	1.5"-2.5"	$\frac{1}{2}$ "
7*40"	4 $\frac{1}{4}$ "	8 $\frac{3}{8}$ "	54"	10"	12"	12 $\frac{1}{4}$ "	1.5"-2.5"	$\frac{1}{2}$ "

## Micro Filter(Cartridge Housing) BN3-Quick-Open Closure Without Legs

Material:SUS304,SUS316L  
 Max design working pressure 100 Psi  
 Polished or sandblast out surface



Model	Length of Cartridge	A	B	C	D	E	F	Inlet & Outlet	Drain
Wick6-7	30"	6"	23 $\frac{3}{8}$ "	45 $\frac{3}{8}$ "	10"	12 $\frac{1}{4}$ "	16 $\frac{3}{8}$ "	1.5"-2"	$\frac{1}{2}$ "
	40"	6"	31 $\frac{1}{2}$ "	55 $\frac{3}{8}$ "	10"	12 $\frac{1}{4}$ "	16 $\frac{3}{8}$ "	1.5"-2"	$\frac{1}{2}$ "
Wick8-12	30"	6"	23 $\frac{3}{8}$ "	46"	12"	17 $\frac{1}{4}$ "	18 $\frac{3}{8}$ "	2"-3"	$\frac{1}{2}$ "
	40"	6"	31 $\frac{1}{2}$ "	56 $\frac{3}{8}$ "	12"	17 $\frac{1}{4}$ "	18 $\frac{3}{8}$ "	2"-3"	$\frac{1}{2}$ "
Wick13-15	30"	6"	23 $\frac{3}{8}$ "	45 $\frac{3}{8}$ "	13 $\frac{1}{4}$ "	16 $\frac{3}{8}$ "	20 $\frac{3}{8}$ "	2"-3"	$\frac{1}{2}$ "
	40"	6"	31 $\frac{1}{2}$ "	56 $\frac{3}{8}$ "	13 $\frac{1}{4}$ "	16 $\frac{3}{8}$ "	20 $\frac{3}{8}$ "	2"-3"	$\frac{1}{2}$ "
Wick16-20	30"	6"	23 $\frac{3}{8}$ "	46 $\frac{3}{8}$ "	15 $\frac{1}{4}$ "	18 $\frac{3}{8}$ "	22"	2"-4"	$\frac{1}{2}$ "
	40"	6"	31 $\frac{1}{2}$ "	56 $\frac{3}{8}$ "	15 $\frac{1}{4}$ "	18 $\frac{3}{8}$ "	22"	2"-4"	$\frac{1}{2}$ "
Wick21-27	30"	6"	23 $\frac{3}{8}$ "	47 $\frac{3}{8}$ "	17 $\frac{1}{4}$ "	20"	24 $\frac{3}{8}$ "	2"-4"	$\frac{1}{2}$ "
	40"	6"	31 $\frac{1}{2}$ "	57"	17 $\frac{1}{4}$ "	20"	24 $\frac{3}{8}$ "	2"-4"	$\frac{1}{2}$ "